



**NEW
FOR
2006**

**Diva de Provence
885 Don Mills Road, Suite 207
Toronto, Ontario
M3C 1V9
C a n a d a
Tel: (416) 256-2646
Fax: (416) 256-7121**

Quick Installation Guide - DDP3

To install the unit, create a cut-out in your countertop following the dimensions given on the drawing and the table below.

This cooktop must be installed in accordance with pertaining local building, trade, fire protection and electrical codes. If local codes do not exist, then installation must be done in accordance with federal codes.

The cooktop is to be connected - hard-wired - to the electrical power supply inside a client-supplied junction box which should be installed inside the cabinet below the unit.

The unit must be properly grounded.

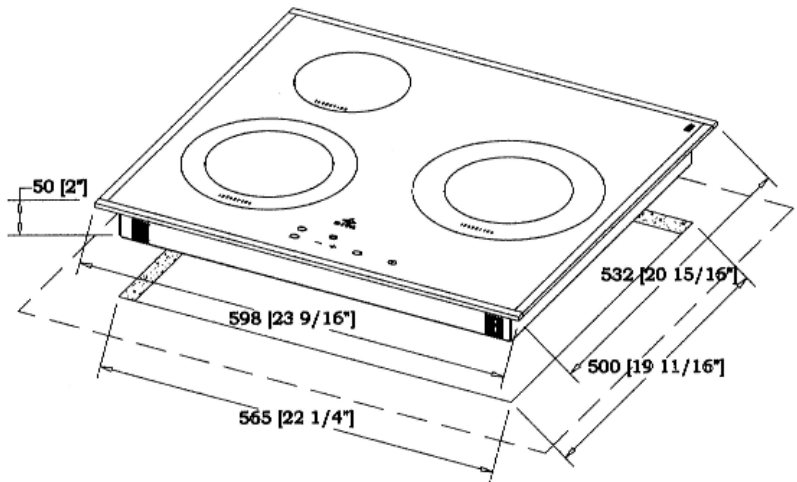
This cooktop is to be installed under a ventilation hood or a downdraft ventilation system.

DDP-3 electrical characteristics are:

Operating voltage ... 220 V~ 60 Hz

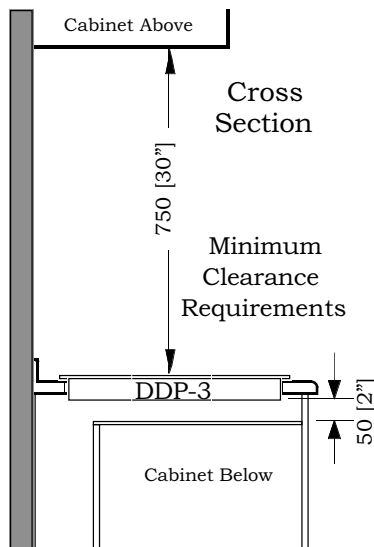
Total power ... 7600 W

**Connect to ... 220 V, 60 Hz, 2 Pole+G,
40 A supply
(3 wire #8 AWG)**



Cooktop and Cut-out Sizes	Width	Depth	Thickness
Cut-out Size	565 mm [22 1/4"]	500 mm [19 11/16"]	100 mm* [4"]*
Cooktop Box Size	558 mm [22"]	492 mm [19 3/8"]	50 mm [2"]
Cooktop Rim Size	598 mm [23 9/16"]	532 mm [20 15/16"]	6 mm [1/4"]

*This dimension includes clearance underneath the unit of 50 mm [2"]



Clearance

You should keep:

- **Above the unit to any combustible surface** - e.g. cabinet above the unit: minimum clearance of **750 mm (30")**;
- **Below the unit** - between the bottom of the unit and any horizontal partition inside your cabinet: minimum clearance of **50 mm (2")**.